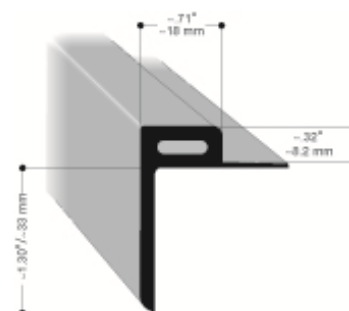


# nora<sup>®</sup> banister trim

## STAIR ACCESSORY

Designed to provide a finished edge for installations on open landings and ramps.

- Excellent slip resistance
- Increased safety thanks to high fire-retardant properties
- No coatings needed



### Product Data

Product	nora <sup>®</sup> banister trim, Article 744 – A5013U
Description	nora <sup>®</sup> rubber compound 959 with abundant natural fillers and environmentally compatible color pigments.
Characteristics	<p>Material Dimensions: Length 8.2 feet (2.5 m)                  Depth 0.7 inches (18 mm)                  Height 1.6 inches (41 mm)                  Thickness 0.35 inches (9 mm)</p> <p>Colors: 35 standard colors                  Surface: Smooth</p>

### Technical Data

ASTM F1861	Type TP – rubber, thermoplastic
Application	Contact cement
Flammability	ASTM E648; NFPA 253; NBSIR 75 950, 1.0 Class 1, ≥ 0.45 watts/sq. cm is required
Smoke Density	ASTM E662; NFPA 256; NBS, 147 (flaming) and 249 (non-flaming) < 450 is required

### Installation

Site Conditions	The installation area must be fully enclosed, weather tight, and climate controlled between 63°F and 75°F and 40% to 60% ambient relative humidity (RH) for at least 48 hours prior, during and 72 hours after installation.
Substrate Requirements	Concrete, wood, metal; refer to the nora <sup>®</sup> Installation Guide for details
Adhesive	Use contact cement
Unique Characteristics	Gives a finished edge to open landings and ramps

For complete installation instructions, contact nora technical department.

## **Clean-up**

Remove any fresh adhesive from the surface of the flooring using 70% Isopropyl Alcohol or liquid soap and a clean cloth. Dried adhesive may be difficult to remove.

## **Traffic**

Banister trim is not designed for use as stair nosing; therefore, it should not be trafficked. Contact the nora<sup>®</sup> Technical Department for confirmation of adhesive and product application.

## **Warranty**

See nora<sup>®</sup> Limited Warranty.

For current nora<sup>®</sup> Installation Guides, Guide Specifications, Maintenance Guides, and Limited Warranties, please visit [www.nora.com/us](http://www.nora.com/us).

*Updated: November 2018*

### **nora systems, Inc.**

9 Northeastern Blvd.  
Salem, NH 03079  
Toll free: 800-332-NORA  
Phone: (603) 894-1021  
Fax: (603) 894-6615  
E-mail: [info-us@nora.com](mailto:info-us@nora.com)  
[www.nora.com/us](http://www.nora.com/us)